

»FUTURA« series

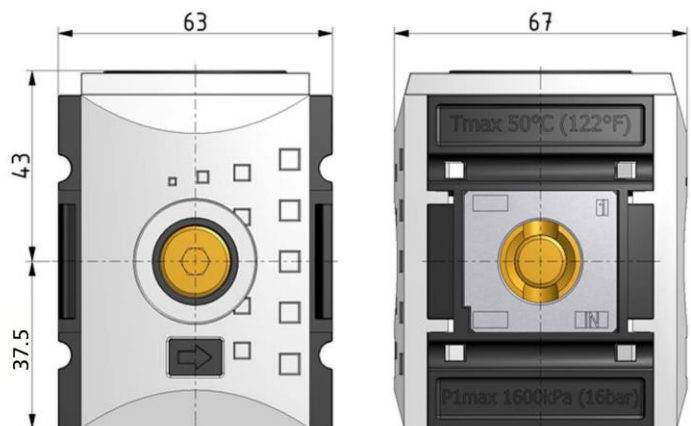
Input pressure	0.4 - 16 bar
Temperature range	-10 °C to 50 °C
Medium	Compressed air, neutral gases
Housing	PA66 GF60
Sealant	NBR
Connecting thread	Material: Die-cast zinc
Flow rate measurement	At $P_2 = 6$ bar and pressure drop $\Delta p = 1$ bar

Non-return valve

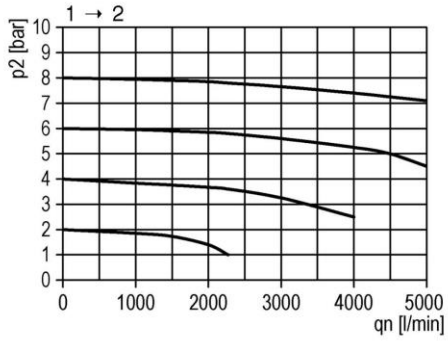
Art. No.	Type No.	Thread	Size	Flow rate l/min
139311	FU 9403	G 3/8	2	4500
139312	FU 9404	G 1/2	2	4500

Accessories / spare parts

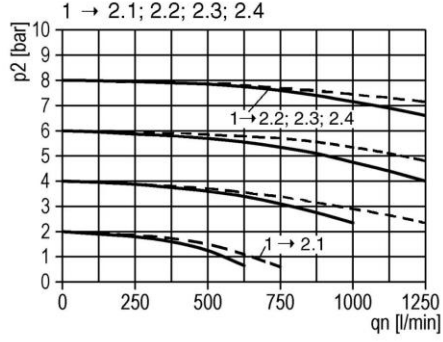
Art. No.	Type No.	Description
100043	H 852	Mounting bracket, incl. 2 screws
100044	WK 102	Wall bracket, incl. 2 screws
100045	KP 200	Joiner set, incl. 2 screws
100331	WK 102-38	Wall bracket with connection thread G 3/8
100332	WK 102-12	Wall bracket with connection thread G 1/2
100333	WK 102-34	Wall bracket with connection thread G 3/4



flow characteristic 1



flow characteristic 2



symbol

